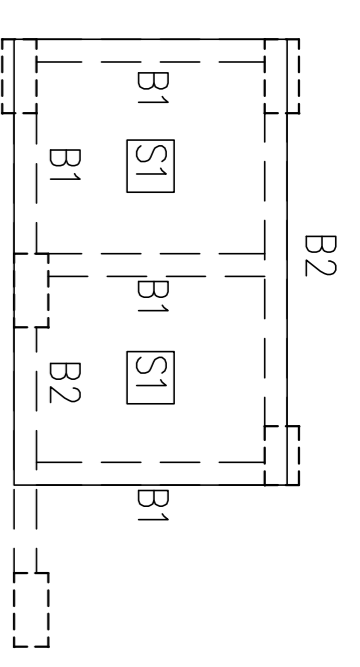
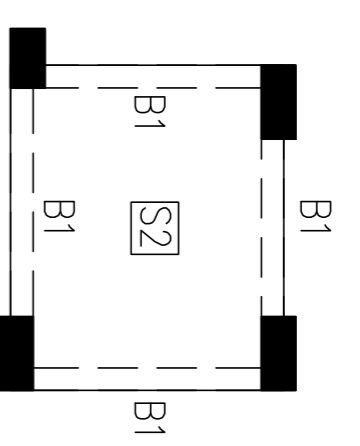


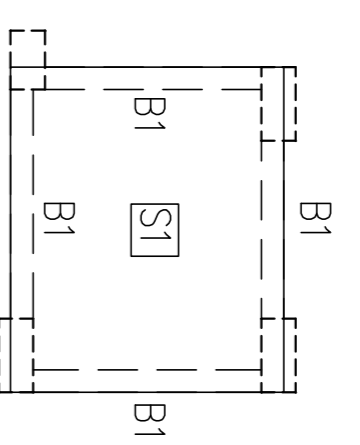
M.R. FLOOR PLAN



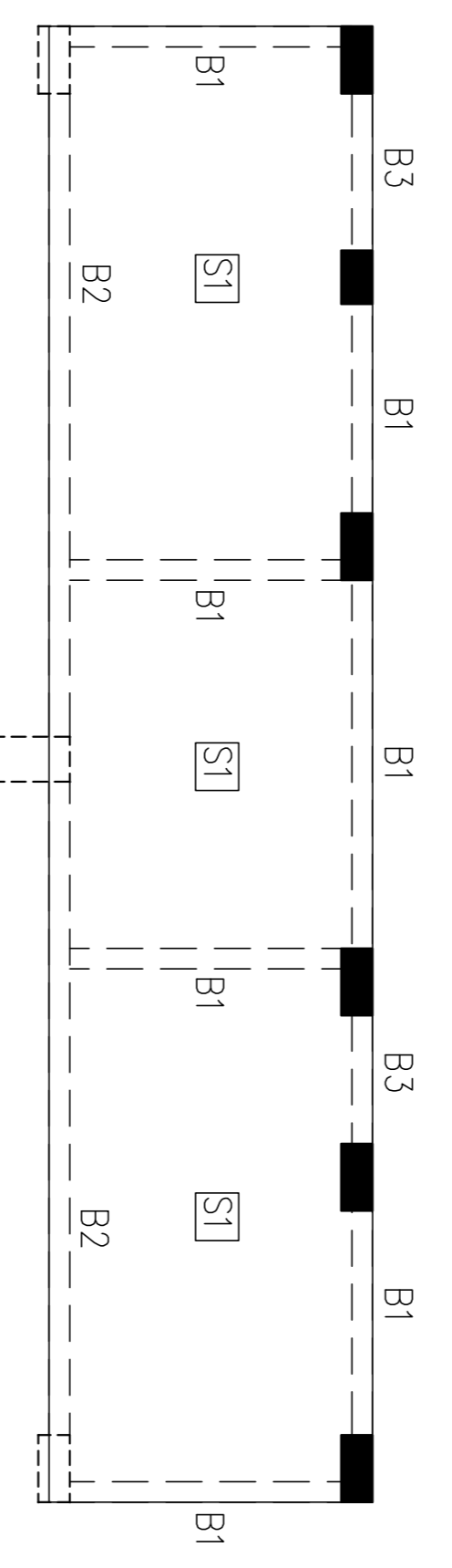
M.R. ROOF PLAN



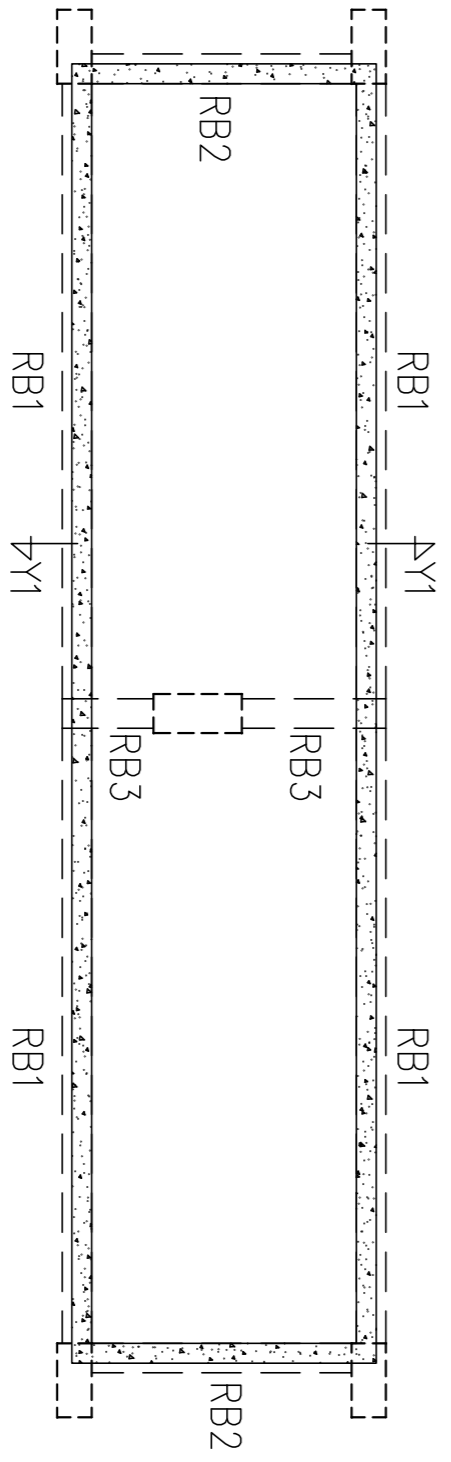
M.R. FLOOR PLAN



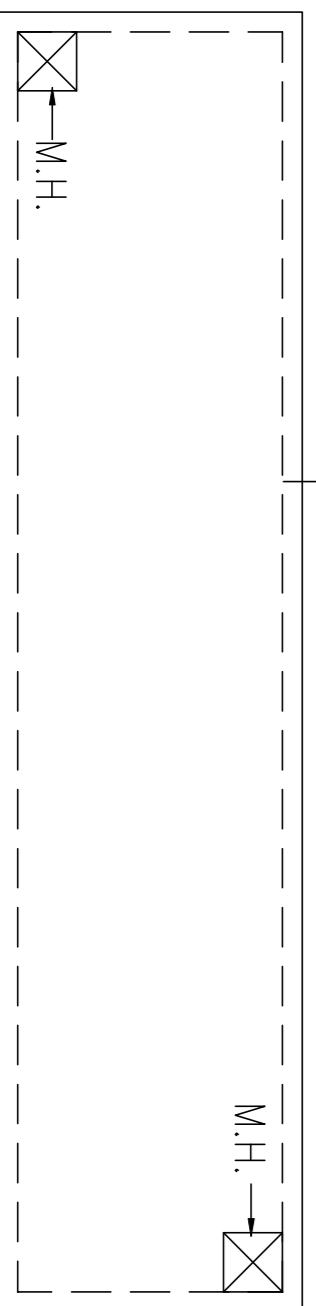
M.R. ROOF PLAN



MUMTY SLAB PLAN

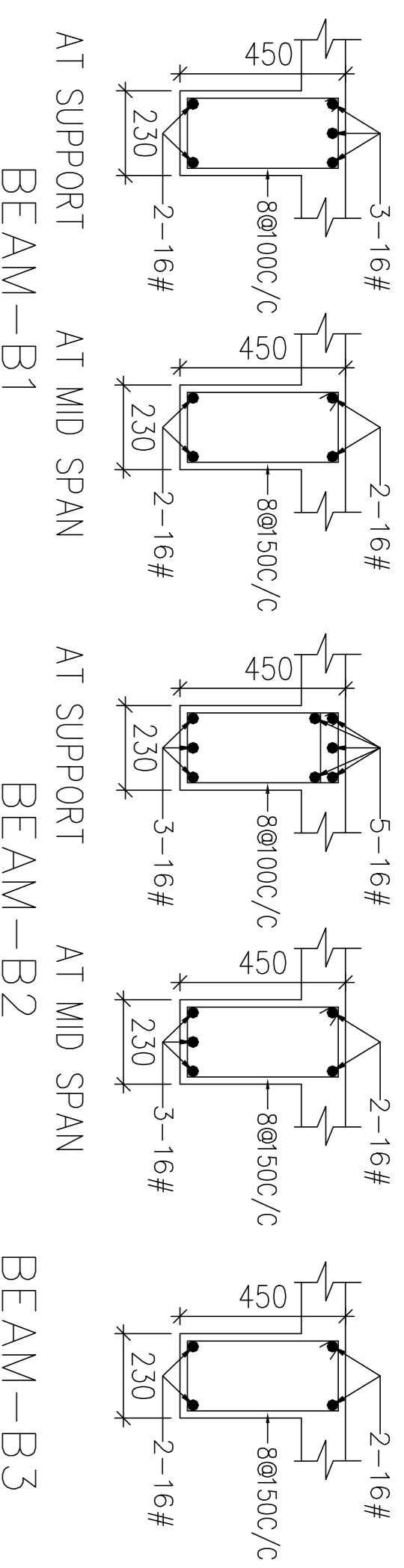


WATER TANK BOTTOM SLAB PLAN

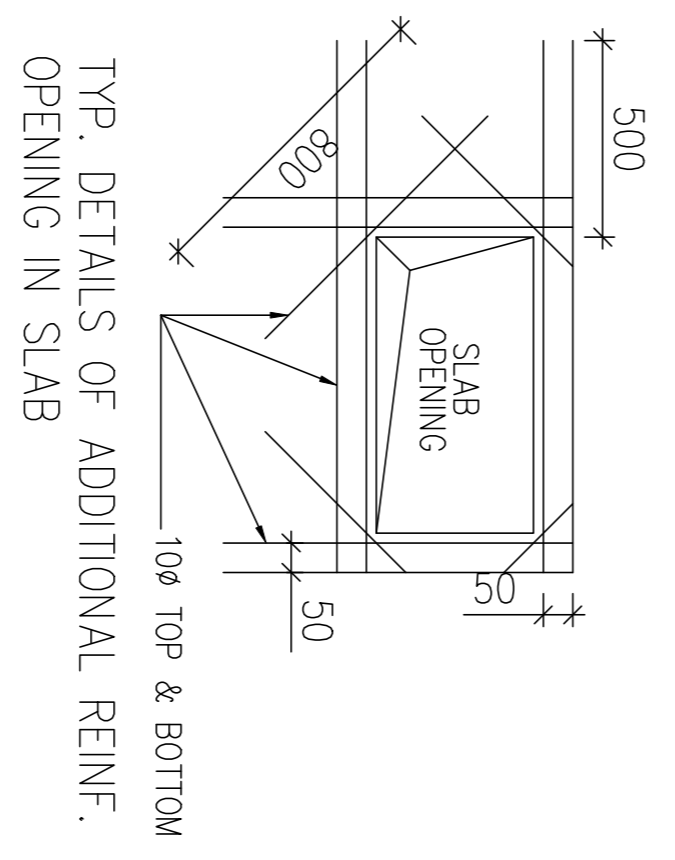
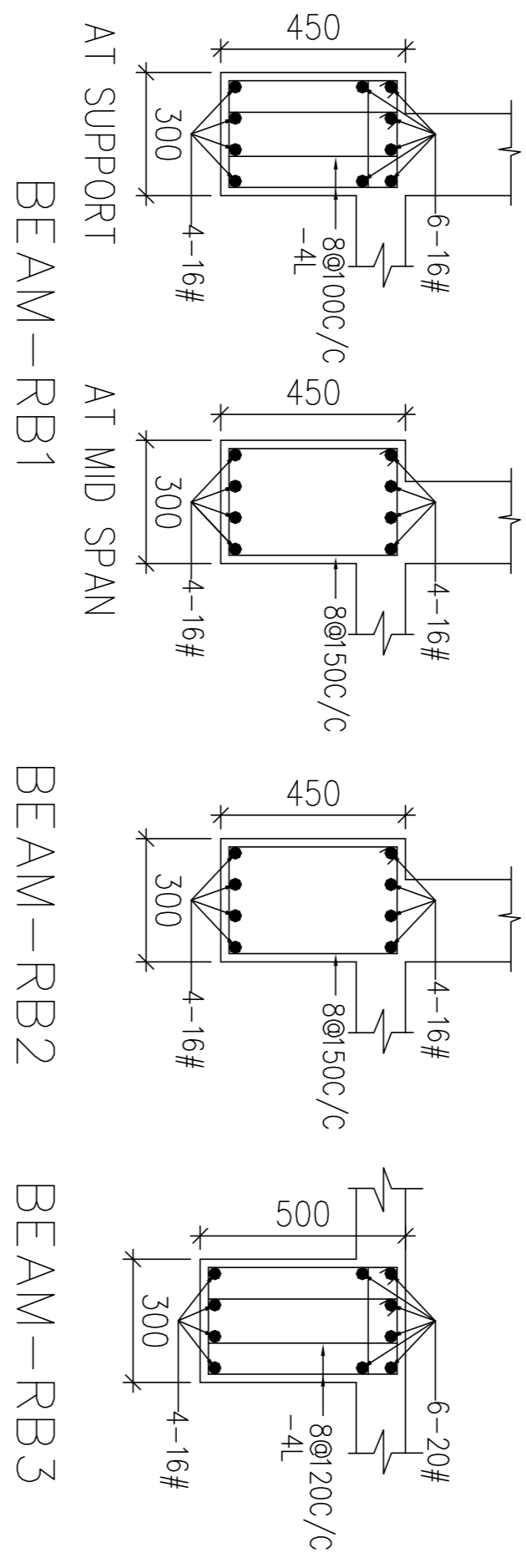


WATER TANK TOP SLAB PLAN

BEAM REINF. DETAILS IN SLAB:-

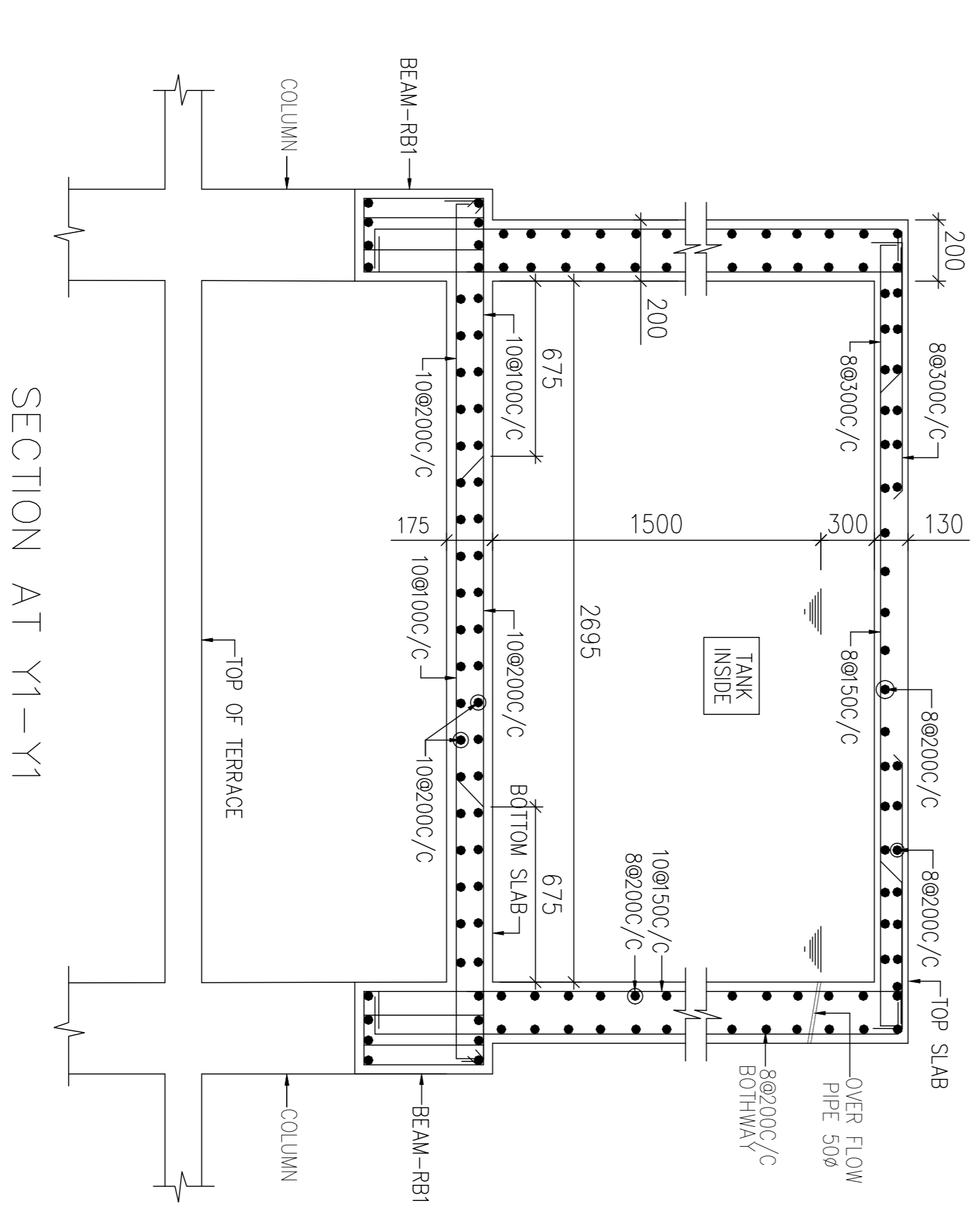


BEAM REINF. DETAILS WATER TANK:-



SLAB MARKED	THICKNESS (MM.)	BOTTOM REINFORCEMENT PARALLEL TO SHORT SPAN A	PARALLEL TO LONG SPAN B	TOP REINF. PARALLEL TO SHORT SPAN C	PARALLEL TO LONG SPAN D	NOTE
S1	130	8@150C/C	8@150C/C	8@150C/C	8@150C/C	
S2	150	10@150C/C	8@150C/C	10@150C/C	8@150C/C	

REINFORCEMENT DETAILS IN SLAB-



SECTION AT Y1-Y1

PROJECT:-  
PROPOSED TEACHING STAFF QUARTERS  
HIMS BHADWAR VARANASI.

DRG. NO.:-  
ATS/22-23/B018/07-07  
DATE:-  
15/07/2022  
DRAWN BY:- OM PRAKASH  
CHECKD BY:- A.K.SINGH

ARCHITECT:-  
ARCHITECTS  
KAPOOR AND ASSOCIATES  
FLAT NO. 3, BLOCK NO.1  
DIDWANIA SOLARE,  
MAHMOORGAN, VARANASI  
PH: 0542-2974212, 98390-89413

STRUCTURAL CONSULTANTS:-  
**ATS STRUCTURAL CONSULTANTS**  
D-27, INDIRA NAGAR, LUCKNOW  
PHONE-0522-4000541, 7398118483  
email-atsstructuralconsultants@gmail.com

DRAWING TITLE:-  
**M.R. SLAB PLAN & WATER TANK DETAILS**